

1

2

3

4

5

6

7

8

A

B

C

D

E

F

A

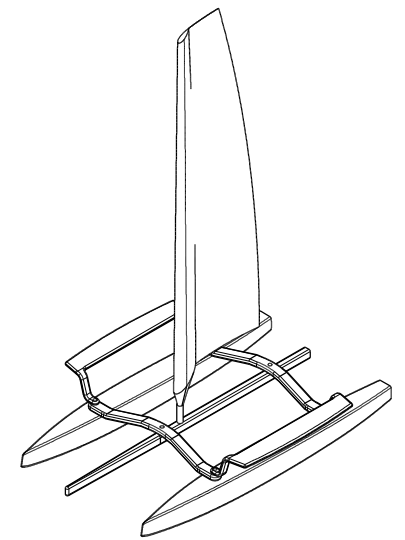
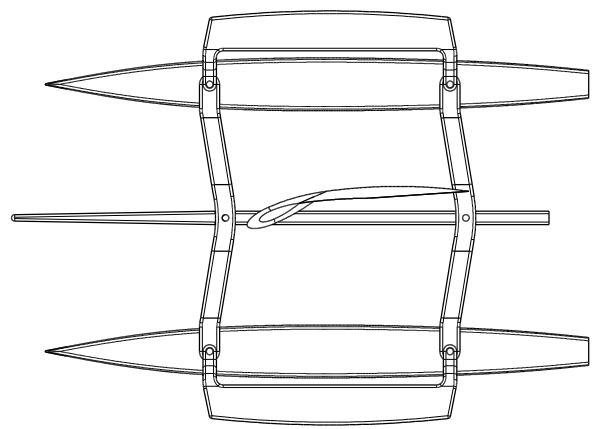
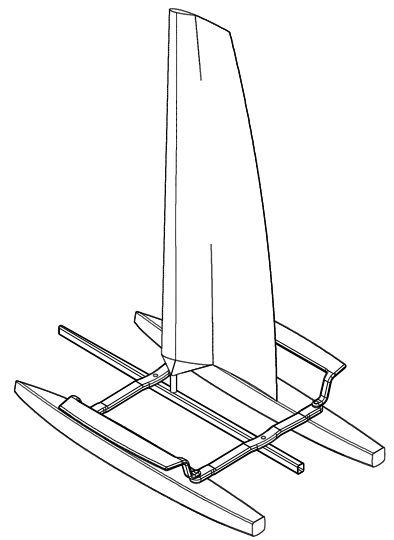
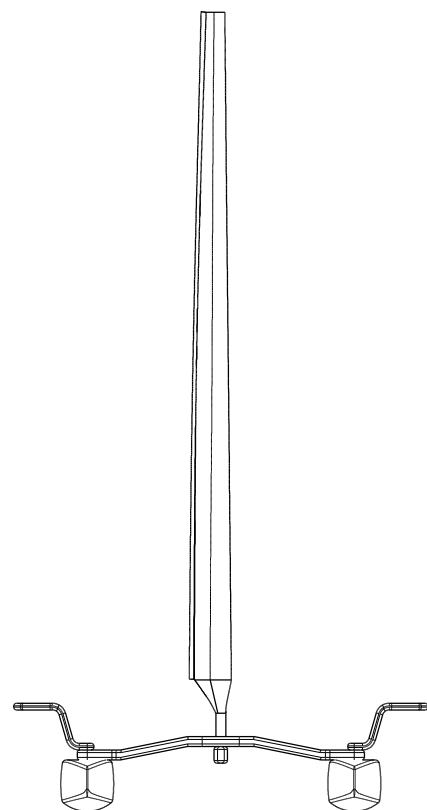
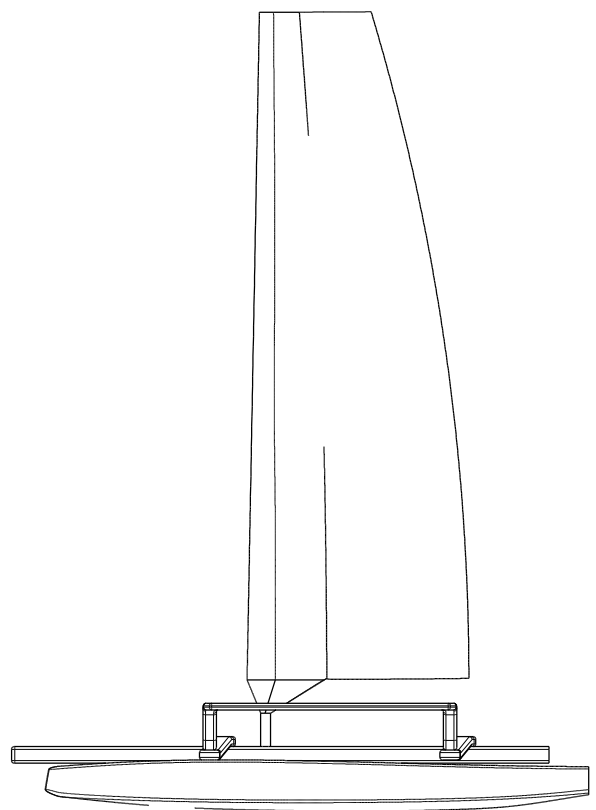
B

C

D

E

F



| | | | | | |
|----------|------------|--------------------|-----------|---------|-------|
| Drawn by | Checked by | Approved by - date | File name | Date | Scale |
| | | | | | |
| | | | DWN NO. | Edition | Sheet |

1

2

3

6

7

8